

SPECIFICATION FOR APPROVAL

Customer:		
Customer P/N:	Customer Rev.: 00	
Customer Model No.:	Customer ID:	
Model No.: TIC-E24-1310B-LF-RP	Rev.: 00	
Article: RJ45 10/100BASE 1X2 tab-up with integrated magnetics		
Standard: Normal	Safety No.:	
Catalog No.:	Date: 4.02.2010	
Prepared by	Checked by	Approved by

Please evaluate the samples, sign this approval sheet and return to us.

- Approved
- Rejected
- Conditional Approved

Comments:

Customer Approved by : _____

Signature & Date

Deviation and History

Please note items listed below does not meet your specifications and requires your consent for deviation:

Item	Customer specification	Suggestion specification

Remarks:

△8				
△7				
△6				
△5				
△4				
△3				
△2				
△1	01			
--	00			
Item	Rev	Description	Sign	Date

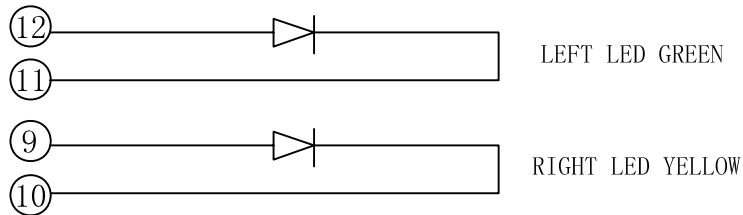
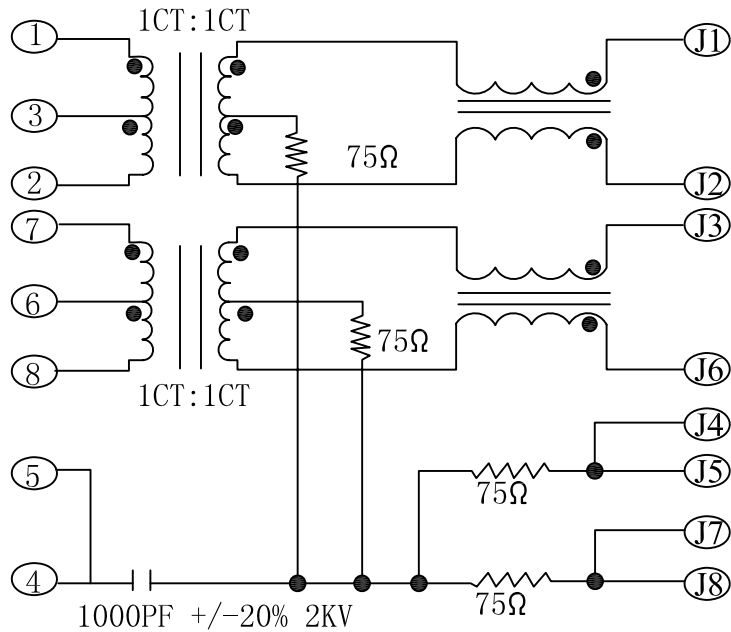
History

Customer P/N:

Model No.: TIC-E24-1310B-LF-RP

Schematic/Electrical Characteristics

Schematics



ELECTRICAL SPECIFICATIONS @ 25°C unless otherwise noted:

Insertion Loss: 1-65MHZ -1.0dB MAX

Return Loss: 1-10MHZ -20.0dB MIN

10-30MHZ -16.0dB MIN

30-60MHZ -12.0dB MIN

60-80MHZ -10.0dB MIN

Crosstalk: 10-30MHZ -40.0dB MIN

30-60MHZ -35.0dB MIN

60-100MHZ -30.0dB MIN

Common Mode Rejection: 1-50MHZ 30.0dB MIN

50-150MHZ -20.0dB MIN

Hipot: 1500V AC 6S 1mA

OCL: 350uH MIN @ 100KHZ 100mV 8mA DC

Customer P/N:

Model No.:

TIC-E24-1310B-LF-RP