

SPECIFICATION FOR APPROVAL

Customer:		
Customer P/N:	Customer Rev.:	
Customer Model No.:	Customer ID:	
Model No.: CIC-F24-1310Y-LF-RP	Rev.:	02
Article: 10/100BASE, Tab-down, 1x2, 4 Leds		
Standard: Normal	Safety No.:	
Catalog No.:	Date:	2010-08-10
<i>Remarks:</i> <i>Please note items listed in page.2 that requires your consent for deviation.</i>		
Prepared by	Checked by	Approved by

2Please evaluate the samples, sign this approval sheet and return to us.

- Approved
- Rejected
- Conditional Approved

Comments:

Customer Approved by : _____

Signature & Date

Deviation and History

Please note items listed below does not meet your specifications and requires your consent for deviation:

Item	Customer specification	Suggestion specification

Remarks:

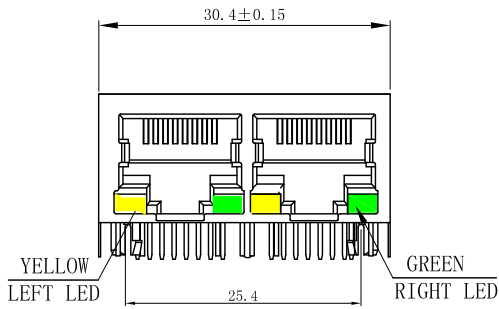
△8				
△7				
△6				
△5				
△4				
△3				
△2	02	Revised to 4 Leds	Danny	2010-08-10
△1	01	Revised to 2 Leds	Feng	2009-5-26
--	00	Initial Issue	Feng	2009-04-27
Item	Rev	Description	Sign	Date

History

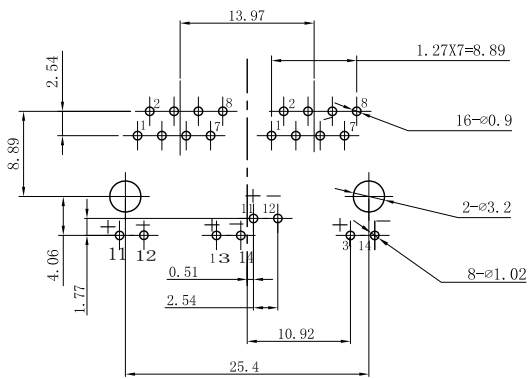
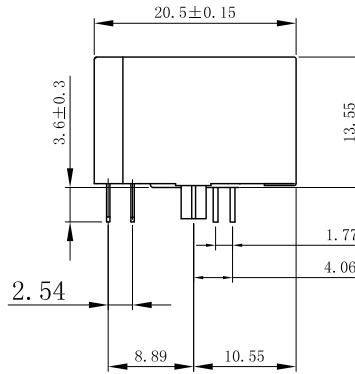
Customer P/N:	Model No.: CIC-F24-1310Y-LF-RP
---------------	---

Dimensions and Diagram

1. Mechanical dimensions:



PC Board Layout



SPECIFICATIONS

ELECTRICAL

CURRENT RATING: 1.5AMPS
 VOLTAGE RATING: 125V AC
 INSULATION RESISTANCE: $\geq 500M\Omega$
 WITHSTANDING VOLTAGE: AC 1000V RMS 50Hz or 60Hz 1Min
 CONTACT RESISTANCE: $\leq 30m\Omega$

MECHANICAL

MATING FORCE: 5-25N
 RETENTION STRENGTH: $\geq 76N$
 DURABILITY: ≥ 750 TIMES

MATERIAL

HOUSING: PA6T OR PBT FILLFD FILLED WITH FIBERGLASS
 INSERT MATERIAL: PBT FILLED WITH FIBERGLASS
 SHIELDING: 0.2mm THICKNESS COPPER ALLOY WITH NICKEL PLATED
 CONTACT: 0.35mm THICKNESS PHOSPHOR BRONZE, HARD GOLD PLATED OVER TIN
 GOLD PLATING: $< 3\mu$ "INCH 3μ "INCH 6μ "INCH
 15μ "INCH 30μ "INCH 50μ "INCH

MARKING: MARKING FOLLOW THE CUSTOMER REQUIREMENT

WORKING TEMPERATURE: $-40^{\circ}C \sim 70^{\circ}C$

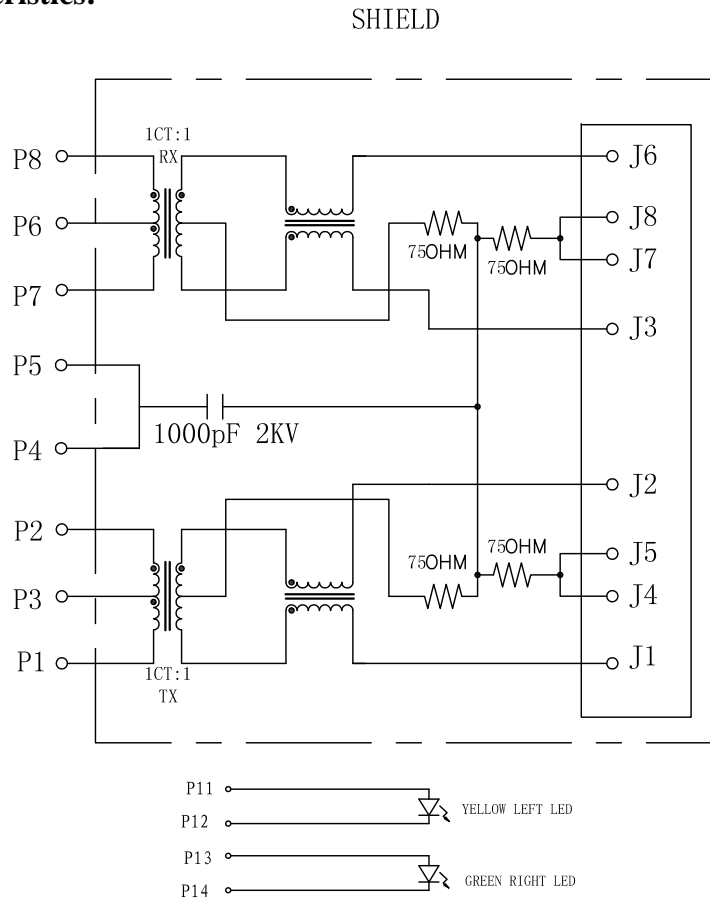
Customer P/N:

Model No.:

CIC-F24-1310Y-LF-RP

Electrical Characteristics

2. Electrical characteristics:



ELECTRICAL SPECIFICATIONS: @25°C unless otherwise noted

- 1.0 OCL:
 - 350uH MIN @100KHZ, 100mV 8mA DC
- 2.0 Insertion Loss:
 - 1dB MIN @ 1-100MHZ
- 3.0 Return Loss:

1MHZ TO 10MHZ	: -20dB MIN
10MHZ TO 30MHZ	: -16dB MIN
30MHZ TO 60MHZ	: -12dB MIN
60MHZ TO 80MHZ	: -10dB MIN
- 3.0. Cross Talk:

1MHZ TO 30MHZ	: -40dB MIN
30MHZ TO 60MHZ	: -35dB MIN
60MHZ TO 100MHZ	: -30dB MIN
- 4.0. CMR:
 - 30dB MIN @1-100MHZ
- 5.0 HIPOT:
 - 1500V AC 6S 1mA

Customer P/N:

Model No.:

CIC-F24-1310Y-LF-RP